

7", 10.1" Front IP66 Silver Aluminum Touch Monitor



Features

- Fanless and rugged design
- True Flat PCT touch solution
- IP66 Silver aluminum front bezel
- Resolution 1024 x 600 / 1280 x 800
- VESA mount & Panel mount & Clip mount



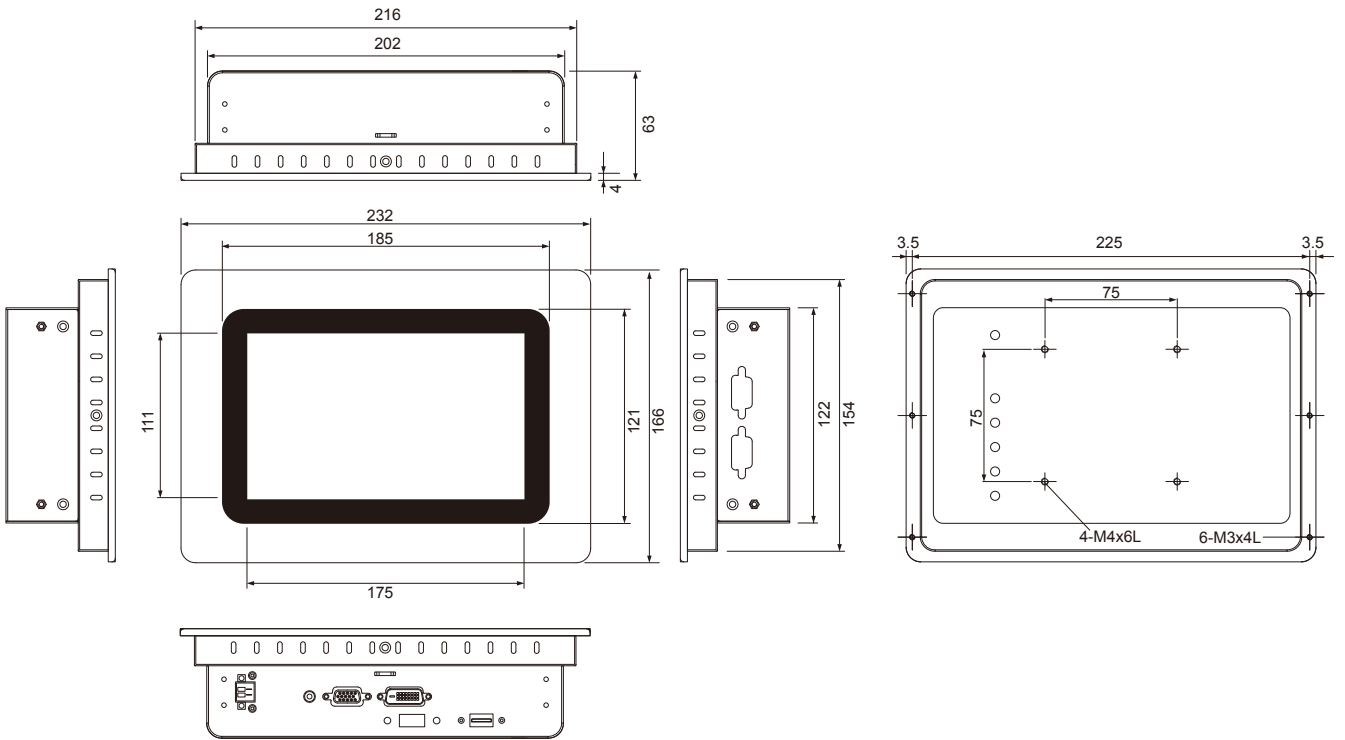
Specifications

Model No.	TM007PS03	TM007PS04	TM101PS03	TM101PS04
DISPLAY				
Size	7" TFT (16:9)		10.1" TFT (16:9)	
Resolution	1024 x 600		1280 x 800	
Colors	16.7M		16.7M	
Luminance	320 cd/m2		500 cd/m2	
Contrast Ratio	500 : 1		800 : 1	
View Angle (H/V)	150°/145°		170°/170°	
I/O PORTS				
VGA	V	V	V	V
DVI	V		V	
HDMI		V		V
DP		V		V
USB (for touch screen)	V	V	V	V
POWER REQUIREMENT				
Power Requirement	DC in 12V (60W)			
TOUCH SCREEN				
Touch Screen	True Flat PCT touch			
OS SUPPORT				
OS support	Win Pro 10 / Embedded Win 7, 8, 10 / Win 10 IoT			
MECHANICAL & ENVIRONMENTAL				
Operation Temp.	0 ~ 45°C			
Storage Humidity	10 ~ 90%, non-condensing			
Mounting	VESA mount (75 x 75 mm) & Panel mount & Clip mount			
Dimension (WxHxD)	232 x 166 x 63 mm		298 x 213 x 63 mm	
Weight	TBD		TBD	
OPTIONAL				
P/N: 2320000001	Optical Bonding			
P/N: 3080108001	HDMI 2m cable			
P/N: 3080109001	DP 2m cable			
P/N: 239SP17002	8pcs x Clips			
P/N: 3011100020	Waterproof sponge			

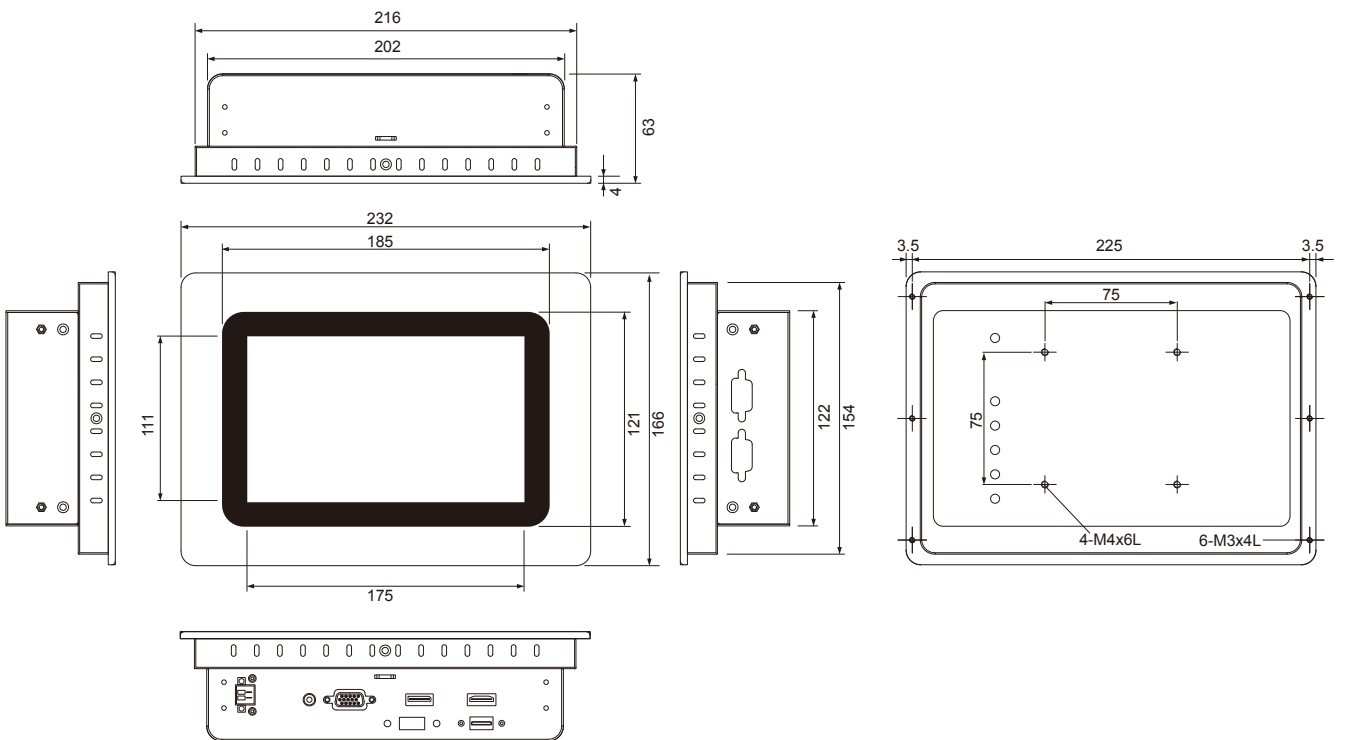
ORDERING INFORMATION

TM007PS03	7" display, true flat PCT, 1 x VGA , 1 x DVI, 1 x USB, 1 x 1.8m VGA cable, 1 x 1.8m USB cable, DC in power adapter
TM007PS04	7" display, true flat PCT, 1 x VGA , 1 x DP, 1 x HDMI, 1 x USB, 1 x 1.8m VGA cable, 1 x 1.8m USB cable, DC in power adapter
TM101PS03	10.1" display, true flat PCT, 1 x VGA , 1 x DVI, 1 x USB, 1 x 1.8m VGA cable, 1 x 1.8m USB cable, DC in power adapter
TM101PS04	10.1" display, true flat PCT, 1 x VGA , 1 x DP, 1 x HDMI, 1 x USB, 1 x 1.8m VGA cable, 1 x 1.8m USB cable, DC in power adapter

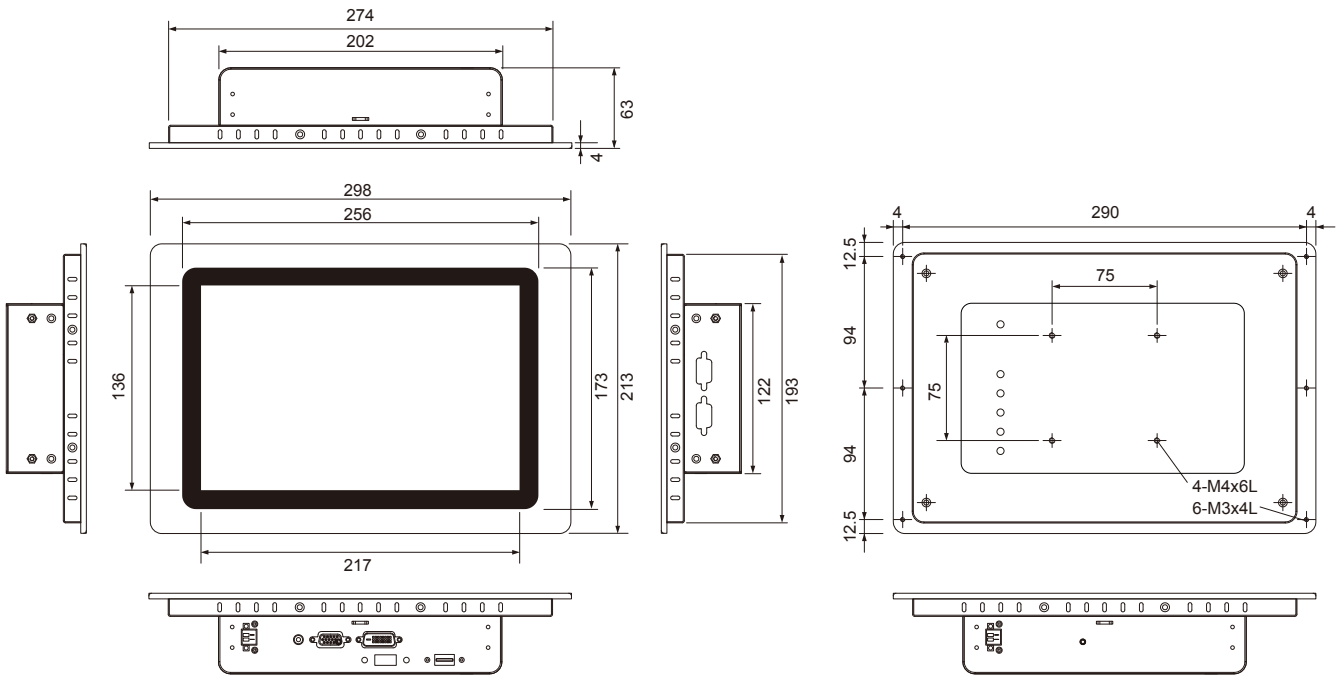
TM007PS03



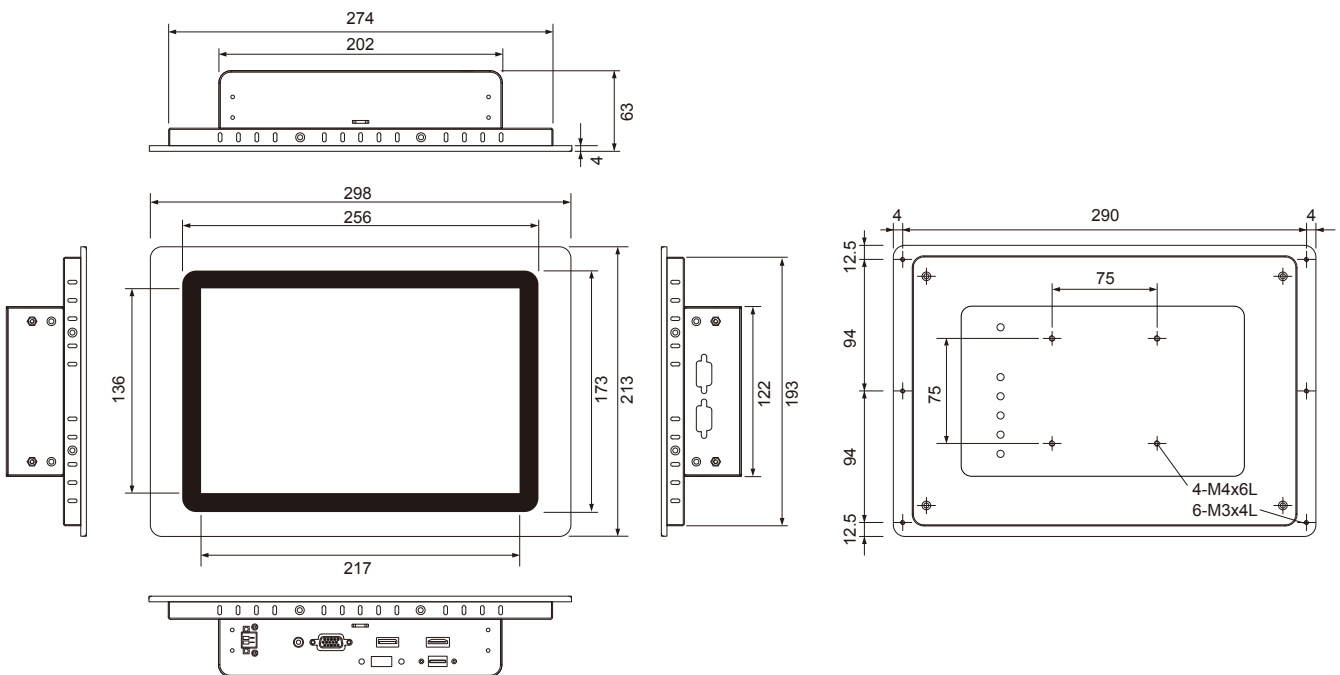
TM007PS04



TM101PS03



TM101PS04



*Specifications are subject to change without notice.